

# Amplifier for Brush Motors

## MSA-12-80

MSA-12-80  
Servo Amplifier



### Product Description

The MSA-12-80 miniature servo amplifier is a low-cost, easy-to-use amplifier for driving brush-type servo motors at high switching frequencies. The amplifier

utilizes power MOSFETs and surface mount technology to produce high power in a small package. The MSA-12-80 accepts a  $\pm 10$  V range input signal directly from Galil programmable motion controllers, or it can be configured as a stand-alone drive. An unregulated DC power supply is required to drive the MSA-12-80, which is available from Galil as the CPS Series described at the end of this section.

### Features

- For brush servo motors
- Miniature size; only 5" x 3" x 1"
- 2000 watts peak; 20 to 80 VDC, 12 amps continuous, 25 amps peak
- Pulse-width-modulated at 36 KHz, 97% efficiency
- Protection against over-voltage, over-current, over-heating, and short circuits across motor, ground, and power leads
- Adjustable loop gain, current limit, and offset
- Four-quadrant regenerative operation
- Operates off single, unregulated DC supply, also available from Galil
- Surface mount technology for high reliability
- No external heatsink required

### Power Rating

DC supply voltage: 20V minimum, 80V maximum

Peak current: 25 amps, 2 sec. maximum

Continuous current: 12 amps, internally limited

### Electrical Specifications

Minimum load inductance: 250 $\mu$ H

Power dissipation at max. continuous current: 15W

Over-voltage shut-down: 86V

Current loop bandwidth: 2.5kHz typical

Heatsink temperature range: -25 to 65 °C;  
shuts off if above 65 °C

Switching frequency: 36kHz

### Physical

Dimensions: 5.09" x 2.98" x .94"

Weight: 10 ounces

### Modes of Operation

The MSA-12-80 can operate in three modes: current, voltage, or velocity. These modes are set by two switches, SW1 and SW3. SW2 is always off.

	SW1	SW2	SW3	SW4*
Current mode	OFF	OFF	ON	OFF
Voltage mode	ON	OFF	OFF	OFF
Velocity mode	OFF	OFF	OFF	OFF

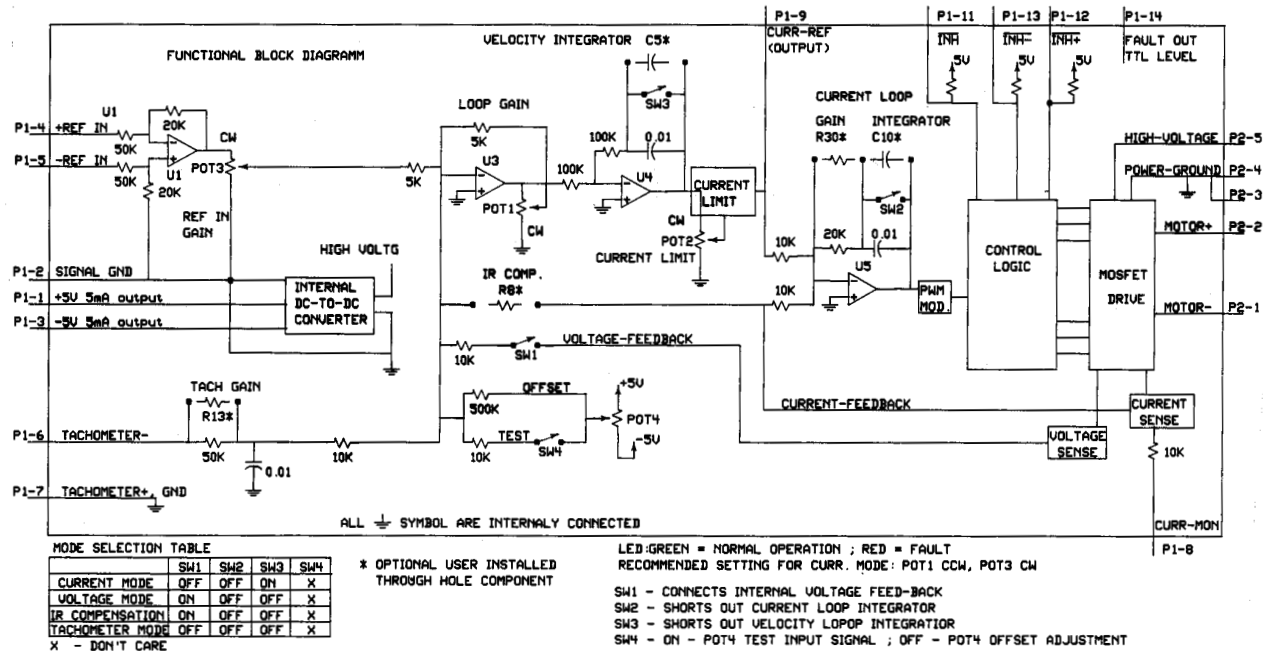
The current mode of operation is the most common setting for use with Galil motion controllers.

\* SW4 ON will result in a very high gain on Port 4. This is not desired during normal operation.

# Amplifier for Brush Motors

## MSA-12-80

### MSA-12-80 Schematic



## Connectors

### Power Connector; 5-pin Screw-type:

- 1 Motor armature +
- 2 Motor armature -
- 3 Power ground
- 4 Power ground
- 5 Supply voltage +

### Signal Connector; 16-pin Molex:

- 1 5V, 5 mA out (available for customer use, short-circuit protected)
- 2 Ground (connect to ICM GND)
- 3 -5V, 5 mA out (available for customer use, short-circuit protected)
- 4 +Reference input (differential analog input from Galil controller;  $\pm 15$  V max; 50K $\Omega$  input resistance). Connect to MoCMD
- 5 -Reference input (leave disconnected if using Galil ICM)
- 6 -Tachometer feedback  $\pm 60$  V analog signal max; 60K $\Omega$  input resistance
- 7 +Tachometer ground
- 8 Current monitor .25 V = 1 A
- 9 Current command .3 V = 1 A
- 10 NC
- 11 Inhibit\* (low-level TTL inhibits amplifier; internal pull-up). Connect to ICM AMPEN
- 12 +Inhibit\* (low-level TTL inhibits +half of bridge; internal pull-up)
- 13 -Inhibit\* (low-level TTL inhibits -half of bridge; internal pull-up)
- 14 Fault out (TTL level; high designates fault)
- 15 NC
- 16 NC

\* Active low

## Adjustments

The MSA-12-80 has four potentiometers that can be adjusted. The output voltage of each potentiometer is measured at the respective probe hole in front of the potentiometer.

### Potentiometer 1—Loop Gain

CW rotation increases the amplifier gain.

At extreme counterclockwise setting, the gain is 1

### Potentiometer 2—Current Limit

CW rotation increases the current limit

Range: 0-10 V, where 10 V give 12 amps continuous

The peak current limit equals twice the continuous limit and lasts for 2 sec.

### Potentiometer 3—Reference Input Gain

CW rotation increases the input gain.

At extreme clockwise setting the gain is 1.

### Potentiometer 4—Offset Voltage

The sensitivity of the offset voltage is increased 50 times by closing SW4.

Range:  $\pm 5$  V

## Power Supplies

See page 85.